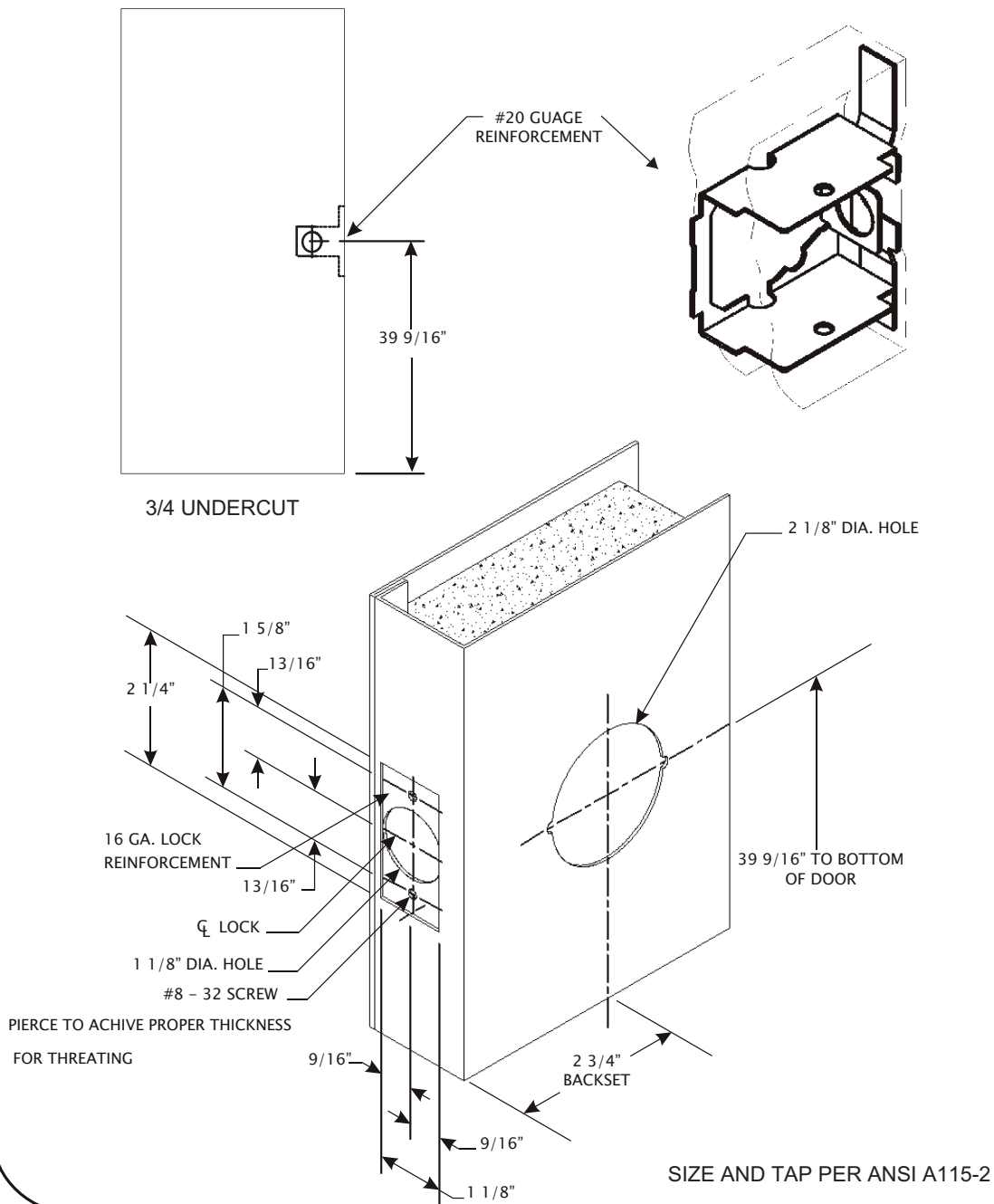


# TECHNICAL DATA SHEET

D - 100 - 06  
161 CYLINDRICAL (C4)  
LOCK PREPARATION

## GOVERNMENT NO. 161 CYLINDRICAL (C4) LOCK PREPARATION -- 1 3/4" DOORS



Issue Date: January 2006

REVISED : 02/01/2009

